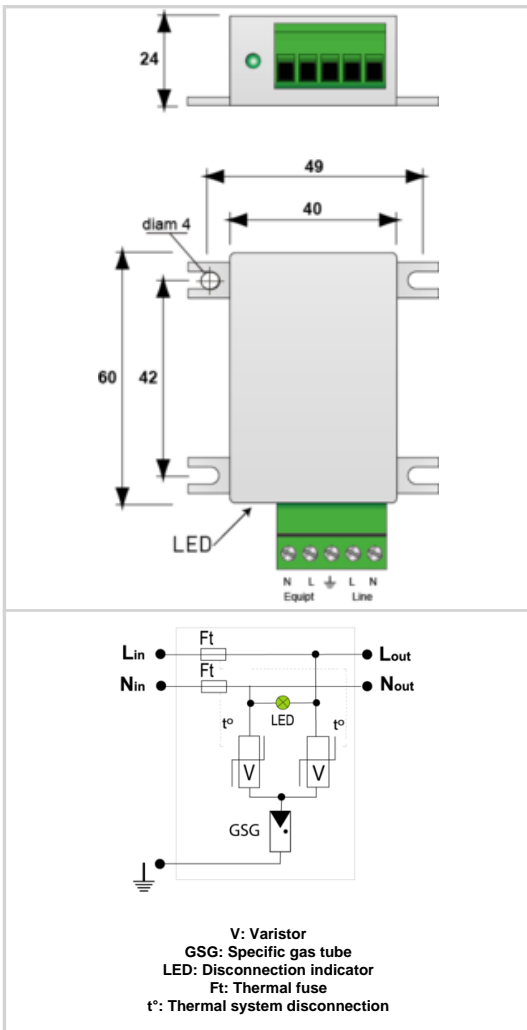


MSB10V-120



- Compact type 2 + 3 surge protector
- Wall mounting and hard wired connection
- Status indicators
- IP66
- EN 61643-11 and IEC 61643-11, UL1449 ed.4 compliance



Electrical Characteristics		
SPD type (following IEC tests)		2+3
Network		120 V single-phase
AC system		TT/TN
Max. AC operating voltage	Uc	150 Vac
Max. load current	IL	16 A
Temporary Over Voltage (TOV) Characteristics - 5 sec. (Without disconnection)	UT	180 Vac withstand
Temporary Over Voltage (TOV) Characteristics - 120 mn (Without disconnection or with safety disconnection)	UT	230 Vac disconnection
Follow current	If	None
Nominal discharge current (15 x 8/20 μs impulses)	In	3 kA
Max. discharge current (max. withstand @ 8/20 μs by pole)	Imax	10 kA
Withstand on Combination waveform IEC 61643-11 (Class III test: 1.2/50μs - 8/20μs)	Uoc	6 kV
Withstand on overvoltages IEEE C62.41.1		10 kV / 10 kA
Protection mode(s)		Common/Differential mode
Protection level L/N (@ In (8/20μs))	Up L/N	1 kV
Protection level L/PE (@ In (8/20μs))	Up L/PE	1 kV
Admissible short-circuit current	Iscsr	10 000 A
Mechanical Characteristics		
Technology		MOV+GDT
Connection to Network		screw terminal
Mounting		Wall or plate
Housing material		Thermoplastic UL94 V-0
Operating temperature	Tu	-40/+85°C
Protection rating		IP20
Failsafe mode		Disconnection and AC line cut-off
Disconnection indicator		Green led OFF
Voltage/operating indicator		Green Led ON
Dimensions		See diagram
Disconnectors		
Thermal disconnector		Internal
Installation ground fault breaker		Type 'S' or delayed
Standards		
Standards compliance		IEC 61643-11 / EN 61643-11 / UL1449 ed.4
Certification		EAC
Part number		
561602		