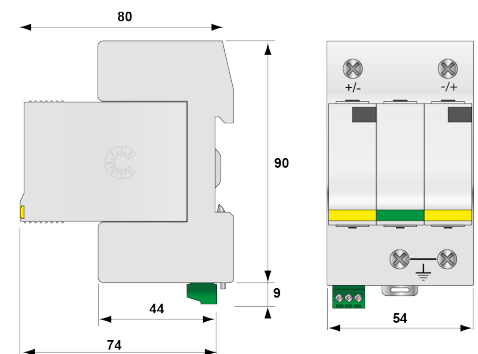
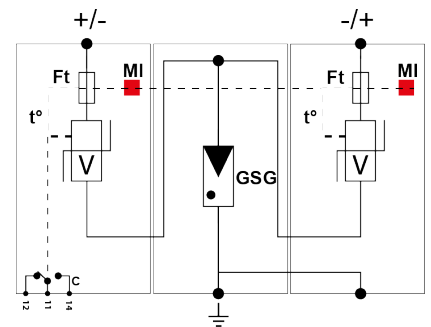




DS50PVS-1000G/10KT1

- Type 1+2 surge protector for Photovoltaic
- Impulse currents I_{imp}/I_{total} : 5/10 kA (10/350 μ s)
- Common/Differential mode protection
- Remote signaling
- EN 50539-11 compliance

Electrical Characteristics		
SPD type <i>follow test IEC 61643-11</i>		1+2
Network		PV network 1000 Vdc
PV Network voltage	Uocstc	1000 Vdc
Max. PV operating voltage	Ucpv	1200 Vdc
Residual Current <i>Leakage current to Ground</i>	Ipe	none
PV Permanent Operating current <i>Current consumption at Ucpv</i>	Icpv	<0.1 mA
Follow current	If	none
Nominal discharge current <i>15 x 8/20 μs impulses</i>	In	15 kA
Max. discharge current <i>max. withstand @ 8/20 μs by pole</i>	I _{max}	40 kA
Total Maximal discharge current <i>max. total withstand @ 8/20 μs</i>	I _{max} Total	60 kA
Impulse current by pole <i>max. withstand 10/350μs by pole</i>	I _{imp}	5 kA
Total lightning current <i>max. total withstand @ 10/350μs</i>	I _{total}	10 kA
Current withstand short circuit PV	Iscpv	1000 A
Connection mode		+/-/PE
Protection mode(s)		MC/MD
Protection level CM/DM <i>@ In (8/20μs)</i>	U _p mc/md	2.6/4.6 kV





Mechanical Characteristics	
Connection to Network	Screw terminals: 2.5-25mm ²
Format	Plug-in modular box
Mounting	Symmetrical rail 35 mm (EN60715)
Housing material	Thermoplastic UL94-V2
Operating temperature	-40/+85°C
Protection rating	IP20
Disconnection indicator	1 mechanical indicator by pole
Spare module	DSM50PV-1000G/10KT1
Remote signaling of disconnection	output on changeover contact
Disconnectors	
Thermal disconnector	internal
Fuses	sans
Norms	
Standards compliance	EN 50539-11
Code article	
	480393