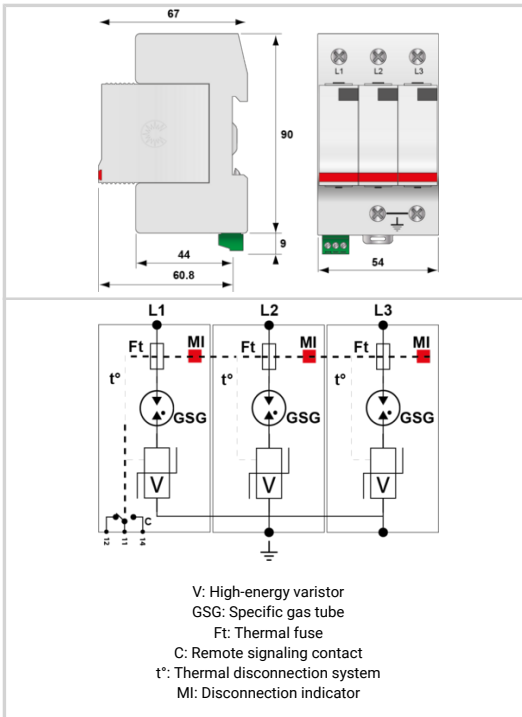


## DS43VGS-120



- Type 2 + 3 AC Multipolar surge protector
- In : 20 kA
- I<sub>max</sub> total: 120 kA
- Pluggable module
- Follow and operating current : none
- No ageing
- remote signaling state
- Optimized to TOV
- EN 61643-11, CEI 61643-11, UL1449 ed.3 compliance



Electrical Characteristics		
SPD type		2+3
Network		120/208 V 3-phase
AC system		TNC
Nominal line voltage	U <sub>n</sub>	120 Vac
Max. AC operating voltage	U <sub>c</sub>	150 Vac
Temporary Over Voltage (TOV) Characteristics - 5 sec. Without disconnection	U <sub>T</sub>	180 Vac withstand
Temporary Over Voltage (TOV) Characteristics - 120 mn Without disconnection or with safety disconnection	U <sub>T</sub>	230 Vac withstand
Residual Current Leakage current to Ground	I <sub>pe</sub>	None
Follow current	I <sub>f</sub>	None
Nominal discharge current 15 x 8/20 μs impulses	I <sub>n</sub>	20 kA
Max. discharge current max. withstand @ 8/20 μs by pole	I <sub>max</sub>	40 kA
Total Maximum discharge current max. total withstand @ 8/20 μs	I <sub>max</sub> Total	120 kA
Withstand on Combination waveform IEC 61643-11 Class III test: 1.2/50μs - 8/20μs	U <sub>oc</sub>	6 kV
Withstand on overvoltages IEEE C62.41.1		20 kV
Connection mode(s)		L/PE
Protection mode(s)		Common mode/Differential mode
Residual voltage @ I <sub>n</sub> (8/20 μs)	U <sub>p-in</sub>	0.6 kV
Protection level L/PE @ I <sub>n</sub> (8/20μs)	U <sub>p</sub> L/PE	1.25 kV
Admissible short-circuit current	I <sub>sc</sub>	25 000 A
Mechanical Characteristics		
Technology		VG Technology (MOV+GSG)
SPD configuration		3-phase
Connection to Network		By screw terminals: 2.5-25mm <sup>2</sup> / by bus
Format		Plug-in modular box
Mounting		Symmetrical rail 35 mm (EN 60715)
Housing material		Thermoplastic UL94 V-0
Operating temperature	T <sub>u</sub>	-40/+85°C
Protection rating		IP20
Failsafe mode		Disconnection from AC network
Disconnection indicator		1 mechanical indicator by pole
Spare module(s)		DSM40VG-120
Remote signaling of disconnection		Output on changeover contact
Dimensions		See diagram
Disconnectors		
Thermal disconnector		Internal
Installation ground fault breaker		Type 'S' or delayed
Fuses		Fuses type gG - 50 A
Standards		
Standards compliance		IEC 61643-11 / EN 61643-11 / UL1449 ed.5
Certification		UL Recognized
Part number		
461673		