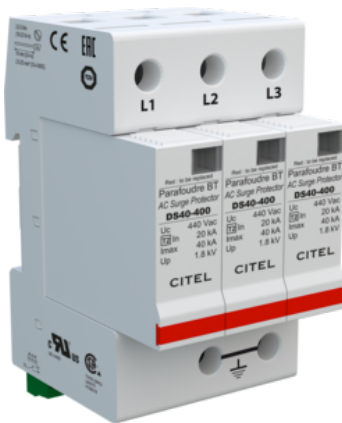
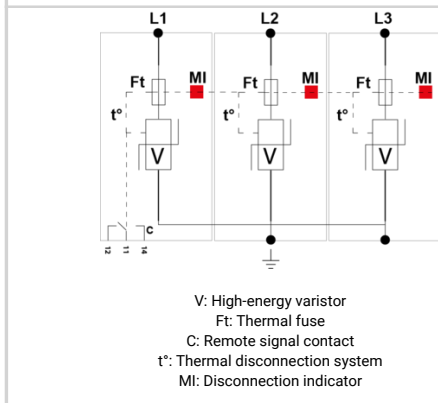
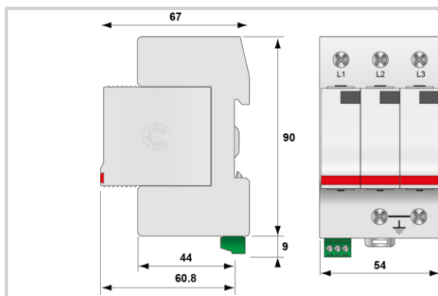


DS43S-400



- Type 2 AC Multipolar surge protector
- In: 20 kA
- Imax total: 120 kA
- Pluggable module for each phase
- Remote signaling
- EN 61643-11, IEC 61643-11, UL1449 ed.5



Electrical Characteristics	
Network	230/400 V 3-phase
AC system	IT
Nominal line voltage	Un 400 Vac
Max. AC operating voltage	Uc 440 Vac
Temporary Over Voltage (TOV) Characteristics - 5 sec. Without disconnection	UT 580 Vac withstand
Temporary Over Voltage (TOV) Characteristics - 120 mn Without disconnection or with safety disconnection	UT 770 Vac disconnection
Residual Current Leakage current to Ground	Ipe < 1.5 mA
Follow current	If None
Nominal discharge current 15 x 8/20 μs impulses	In 20 kA
Max. discharge current max. withstand @ 8/20 μs by pole	Imax 40 kA
Connection mode(s)	L/PE
Protection mode(s)	Common mode/Differential mode
Residual voltage at 5 kA @ 5 kA (8/20μs)	Up-5kA 1.3 kV
Protection level L/PE @ In (8/20μs)	Up L/PE 1.8 kV
Admissible short-circuit current	Iscsr 25 000 A
Mechanical Characteristics	
SPD configuration	3-phase
Connection to Network	By screw terminals: 2.5-25mm ² / by bus
Format	Plug-in modular box
Mounting	Symmetrical rail 35 mm (EN 60715)
Housing material	Thermoplastic UL94 V-0
Operating temperature	Tu -40/+85°C
Protection rating	IP20
Failsafe mode	Disconnection from AC network
Disconnection indicator	1 mechanical indicator by pole
Spare module(s)	DSM40-400
Remote signaling of disconnection	Output on changeover contact
Weight	0.286 kg
Disconnectors	
Thermal disconnector	Internal
Installation ground fault breaker	Type 'S' or delayed
Fuses	Fuses type gG - 50 A
Standards	
Certification	TUV
Part number	
461423	