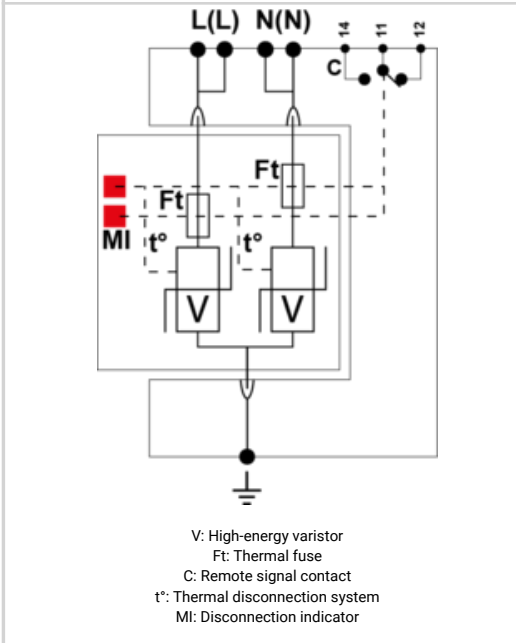
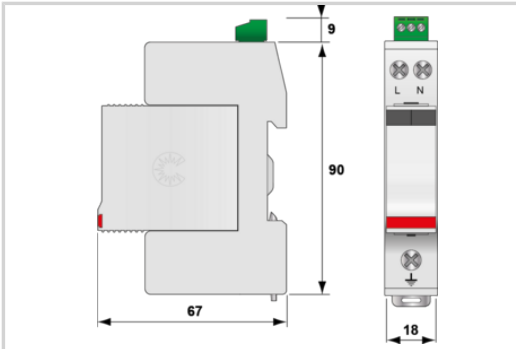


DS240S-320



- Compact single-phase Type 2 surge protector
- In : 20 kA
- Imax : 40 kA
- Common mode
- Pluggable module
- Remote signaling
- EN 61643-11, CEI 61643-11 compliance
- UL1449 ed.6



Electrical Characteristics	
SPD type	2
Network	230 V single-phase
AC system	TN
Nominal line voltage	Un 230 Vac
Max. AC operating voltage	Uc 320 Vac
Max. load current if series connection	IL 20 A
Temporary Over Voltage (TOV) Characteristics - 5 sec. Without disconnection	UT 335 Vac withstand
Temporary Over Voltage (TOV) Characteristics - 120 mn Without disconnection or with safety disconnection	UT 440 Vac withstand
Residual Current Leakage current to Ground	Ipe < 0.5 mA
Follow current	If None
Nominal discharge current 15 x 8/20 μs impulses	In 20 kA
Max. discharge current max. withstand @ 8/20 μs by pole	Imax 40 kA
Total Maximum discharge current max. total withstand @ 8/20 μs	Imax Total 80 kA
Connection mode(s)	L/PE and N/PE
Protection mode(s)	Common mode/Differential mode
Residual voltage at 5 kA @ 5 kA (8/20μs)	Up-5kA 1 kV
Protection level CM/DM @ In (8/20μs)	Up mc /md 1.5 kV
Admissible short-circuit current	Iscrr 10 000 A
Mechanical Characteristics	
Technology	MOV
SPD configuration	Single phase
Connection to Network	By screw terminals: 1.5-10mm ² (L/N) or 2.5-25mm ² (PE)
Format	Plug-in modular box
Mounting	Symmetrical rail 35 mm (EN 60715)
Housing material	Thermoplastic UL94 V-0
Operating temperature	Tu -40/+85°C
Protection rating	IP20
Failsafe mode	Disconnection from AC network
Disconnection indicator	2 mechanical indicators
Spare module(s)	DSM240-320
Remote signaling of disconnection	Output on changeover contact
Dimensions	See diagram
Weight	0.133 kg
Disconnectors	
Thermal disconnector	Internal
Installation ground fault breaker	Type 'S' or delayed
Fuses	Fuses type gG - 50 A
Standards	
Standards compliance	IEC 61643-11 / EN 61643-11 / UL1449 ed.5
Certification	UL Recognized
Part number	
311911	