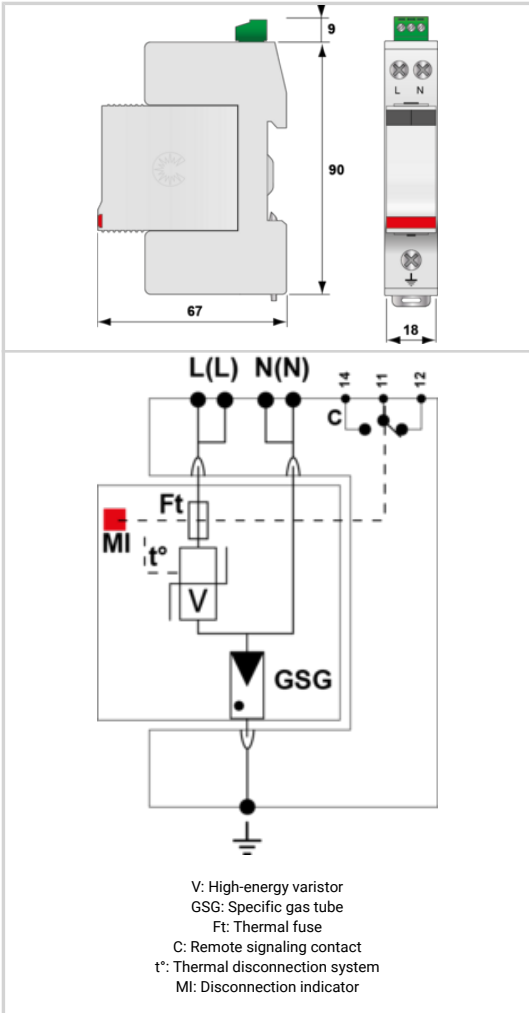


DS240S-280/G



- MOV+GSG Technology
- UL1449 TYPE 4CA
- 40kA Surge Current Rating per module
- Visual fault indicator and remote contacts
- 10-Year warranty



| Electrical Characteristics | | |
|---|------------------------|--|
| Total Maximum discharge current max. total withstand @ 8 /20 μs | I _{max} Total | 40 kA |
| Protection mode(s) | | Common/Differential mode |
| POWER SPD TYPE | | UL1449 5th Ed. TYPE 4CA |
| AC/DC/DC PV/RF | | AC |
| PHASE | (PH) | 1S |
| AMPS | (A) | N/A |
| AMBIENT MIN | (C) | -35 |
| AMBIENT MAX | (C) | +60 |
| MODES | | L-N, L-G, N-G |
| IN15 impulses 8/20μs | (kA) | 20 |
| SCCR | (kA) | n/a |
| IMAX8/20μs | (kA) | 40 |
| Mechanical Characteristics | | |
| Weight | | 0.109 kg |
| TECHNOLOGY | | MOV+GSG |
| NETWORK CONFIGURATION | | 2 pole, 2W+G, Single/Spilt Phase |
| CONNECTION METHOD | | SPD-Screw Terminal (8-12AWG), Terminal blocks 6AWG |
| MOUNTING | | DIN RAIL |
| MATERIAL | | Thermoplastic UL94-V0 |
| NEMA RATING (IP RATING) | | NEMA 2 (IP20) |
| FAIL-SAFE BEHAVIOR | | Disconnection via fuse-link |
| REAL-TIME DIAGNOSTICS | | Visual indicator and remote contacts |
| DIMENSIONS | | See diagram |
| WEIGHT | | 0.30 lbs |
| Standards | | |
| Certification | | UL Recognized |
| UL STANDARD | | UL1449 5th Edition |
| UL CATEGORY | | VZCA2, VZCA8 |
| UL FILE NUMBER | | E326289 |
| STANDARDS | | NOM-003-SCFI-2014, NOM-001-SCFI-1993 |
| ENVIRONMENTAL STANDARDS | | ROHS |
| Part number | | |
| 311131 | | |

