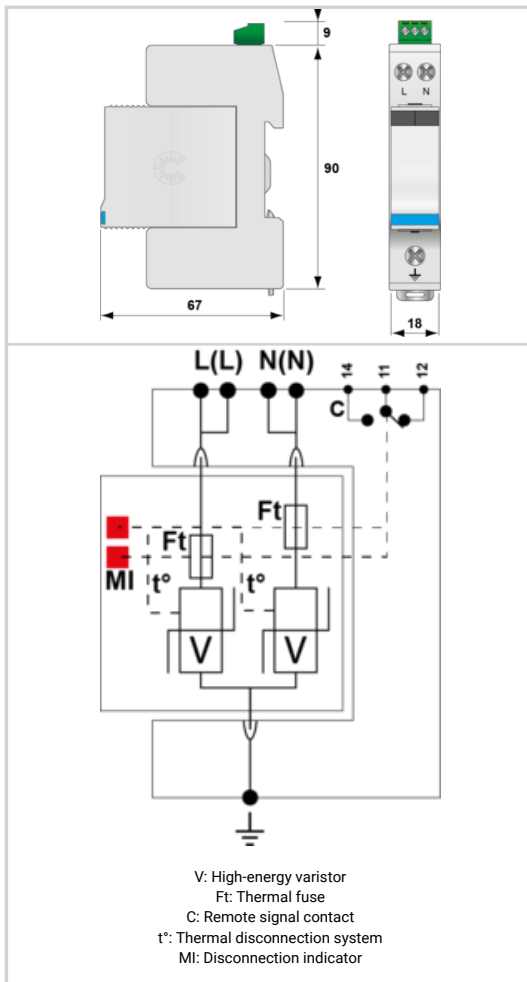


## DS215S-400



- ↳ Compact single-phase type 2 (or 3) surge protector
- ↳  $I_n$  : 5 kA
- ↳  $I_{max}$  : 15 kA
- ↳ Common mode
- ↳ Pluggable module
- ↳ Remote signaling
- ↳ EN 61643-11, IEC 61643-11 compliance
- ↳ UL1449 ed.5



Electrical Characteristics	
SPD type	2 (or 3)
Network	230 V single-phase
AC system	IT
Nominal line voltage	$U_n$ 400 Vac
Max. AC operating voltage	$U_c$ 440 Vac
Max. load current if series connection	$I_L$ 20 A
Temporary Over Voltage (TOV) Characteristics - 5 sec. Without disconnection	$U_T$ 580 Vac withstand
Temporary Over Voltage (TOV) Characteristics - 120 mn Without disconnection or with safety disconnection	$U_T$ 770 Vac disconnection
Residual Current Leakage current to Ground	$I_{pe}$ < 0.5 mA
Follow current	$I_f$ None
Nominal discharge current 15 x 8/20 $\mu$ s impulses	$I_n$ 5 kA
Max. discharge current max. withstand @ 8/20 $\mu$ s by pole	$I_{max}$ 15 kA
Withstand on Combination waveform IEC 61643-11 Class III test: 1.2/50 $\mu$ s - 8/20 $\mu$ s	$U_{oc}$ 10 kV
Withstand on overvoltages IEEE C62.41.1	10 kV
Connection mode(s)	L/PE and N/PE
Protection mode(s)	Common mode/Differential mode
Protection level @ $I_n$ (8/20 $\mu$ s)	$U_p$ 1.3 kV
Residual voltage at 5 kA @ 5 kA (8/20 $\mu$ s)	$U_{p-5kA}$ 1.3 kV
Admissible short-circuit current	$I_{sccr}$ 10 000 A
Mechanical Characteristics	
Technology	MOV
SPD configuration	Single phase
Connection to Network	By screw terminals: 1.5-10mm <sup>2</sup> (L/N) or 2.5-25mm <sup>2</sup> (PE)
Format	Plug-in modular box
Mounting	Symmetrical rail 35 mm (EN 60715)
Housing material	Thermoplastic UL94 V-0
Operating temperature	$T_u$ -40/+85°C
Protection rating	IP20
Failsafe mode	Disconnection from AC network
Disconnection indicator	2 mechanical indicators
Spare module(s)	DSM215-400
Remote signaling of disconnection	Output on changeover contact
Dimensions	See diagram
Weight	0.118 kg
Disconnectors	
Thermal disconnector	Internal
Installation ground fault breaker	Type 'S' or delayed
Fuses	Fuses type gG - 20A
Standards	
Standards compliance	IEC 61643-11 / EN 61643-11 / UL1449 ed.5
Certification	UL / CSA
Part number	
451411	