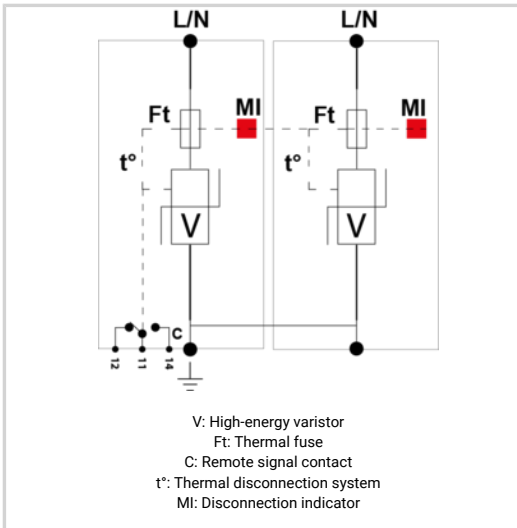


## DS132RS-230



- ↳ Type 1 + 2 AC multipolar surge protector
- ↳ In : 20 kA
- ↳ Iimp total : 25 kA
- ↳ Pluggable module for each phase
- ↳ Remote signaling
- ↳ EN 61643-11, IEC 61643-11 compliance



Electrical Characteristics		
SPD type		1+2
Network		230 V single-phase
AC system		TN
Nominal line voltage	Un	230 Vac
Max. AC operating voltage	Uc	255 Vac
Temporary Over Voltage (TOV) Characteristics - 5 sec. Without disconnection	UT	335 Vac withstand
Temporary Over Voltage (TOV) Characteristics - 120 mn Without disconnection or with safety disconnection	UT	440 Vac disconnection
Follow current	If	None
Nominal discharge current 15 x 8/20 μs impulses	In	20 kA
Max. discharge current max. withstand @ 8/20 μs by pole	I <sub>max</sub>	50 kA
Impulse current by pole max. withstand 10/350 μs by pole	I <sub>imp</sub>	12.5 kA
Total lightning current max. total withstand @ 10/350 μs	I <sub>total</sub>	25 kA
Withstand on overvoltages IEEE C62.41.1		20 kV
Specific energy by pole max. withstand 10/350 μs	W/R	40 kJ/ohm
Connection mode(s)		L/PE and N/PE
Protection mode(s)		Common mode/Differential mode
Protection level N/PE @ In (8/20 μs)	Up N/PE	1.3 kV
Protection level L/PE @ In (8/20 μs)	Up L/PE	1.3 kV
Admissible short-circuit current	I <sub>sc</sub>	25 000 A
Mechanical Characteristics		
Technology		MOV
SPD configuration		Single phase
Connection to Network		By screw terminals: 2.5-25mm <sup>2</sup> / by bus
Format		Plug-in modular box
Mounting		Symmetrical rail 35 mm (EN 60715)
Housing material		Thermoplastic UL94 V-0
Operating temperature	Tu	-40/+85°C
Protection rating		IP20
Failsafe mode		Disconnection from AC network
Disconnection indicator		1 mechanical indicator by pole
Spare module(s)		DSM130R-230
Remote signaling of disconnection		Output on changeover contact
Dimensions		See diagram
Weight		0.301 kg
Disconnectors		
Thermal disconnector		Internal
Installation ground fault breaker		Type 'S' or delayed
Fuses		Fuses Type gG - 125 A
Standards		
Standards compliance		IEC 61643-11 / EN 61643-11 / UL1449 ed.5
Certification		
Part number		
571512		